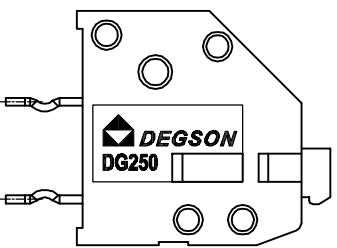
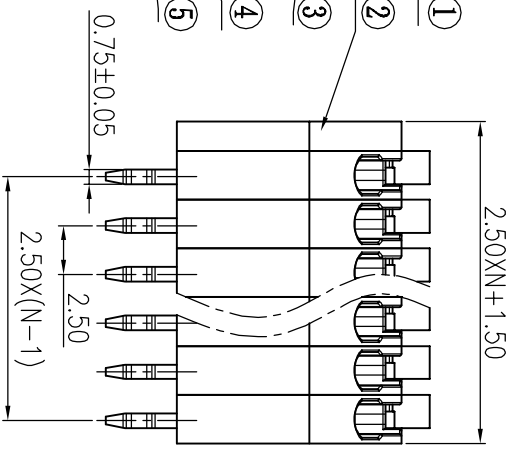
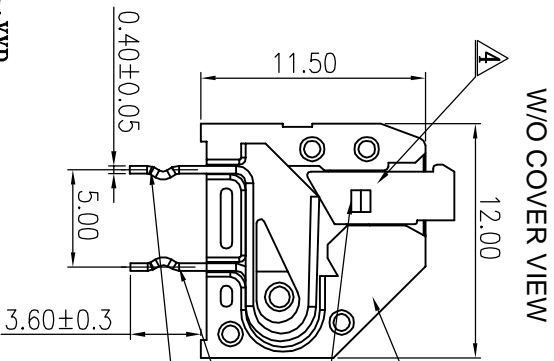
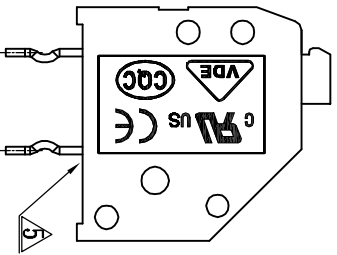


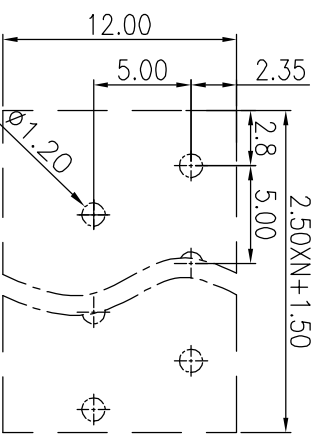
REVISION RECORD				
REV	ECO	DESCRIPTION	DEPT	DATE
Δ		图面更新	HW	04/17/06*
Δ		新增山列字	LJK	03/01/07*
Δ		品名、料号增加环保标示(0)*	LJH	12/08/07*
Δ		修改视图	LJH	11/28/08*
Δ		工程变更：底部加筋	WJM	04/10/09*
Δ		修改PCB板孔径	WJM	04/22/09*



Notes:

1. Pitch: 2.5mm , Poles:XXP
2. Rated voltage/current:UL 300V/2A  
VDE 250V/6A
3. Operation temperatures:-40℃~+105℃
4. Withstanding Voltage:AC1500V/1M:in
5. Insulation Resistance:5000M Ω /DC1000V
6. Wire Range:24~20AWG, 0.5mm<sup>2</sup>
7. Undimensioned Tolerances:

Pitch range in mm	Nominal dimension range in mm			
over 6	over 10	over 30	over 60	over 100
to 10	to 24	to 30	to 60	to 150
±0.10	±0.15	±0.25	±0.3	±0.5
		±0.7	±1.0	0.05/10



ITEM	DESCRIPTION	PLATING	FINISH
1	3022B00010(H)	3022B00020(H)	3022D0Y01A(H)
2	3018C0Y01A(H)	UL94V-0	

ITEM	NAME OF PART	NO. OF PART	Q'TY	MATERIAL	NOTES
1	DG250-2.5 Housing	3022A0Y01A (H)	XX	PA66	UL94V-0

**DEGSON** 宁波捷正电子有限公司  
DEGSON ELECTRONICS CO., LTD

NAME: DG250-2.5-XXP-1Y-00A (H)

DRAWING NO.: DG250-2.5-301

SIZE: A4

REV: T6

DATE: 11/28/08