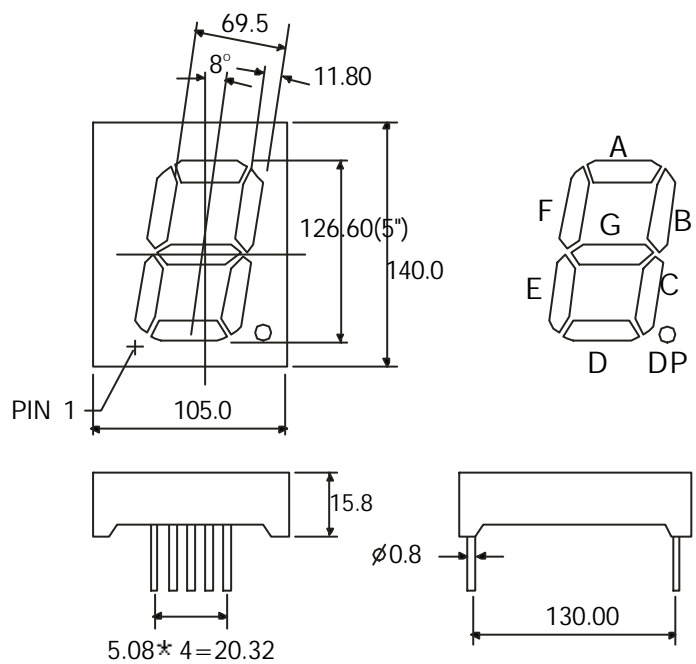
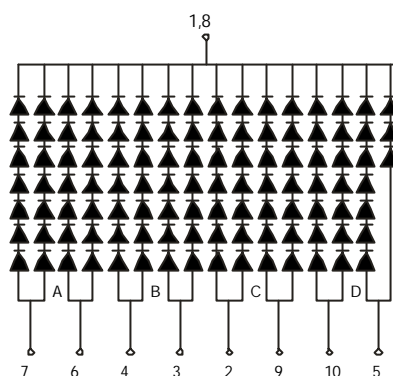


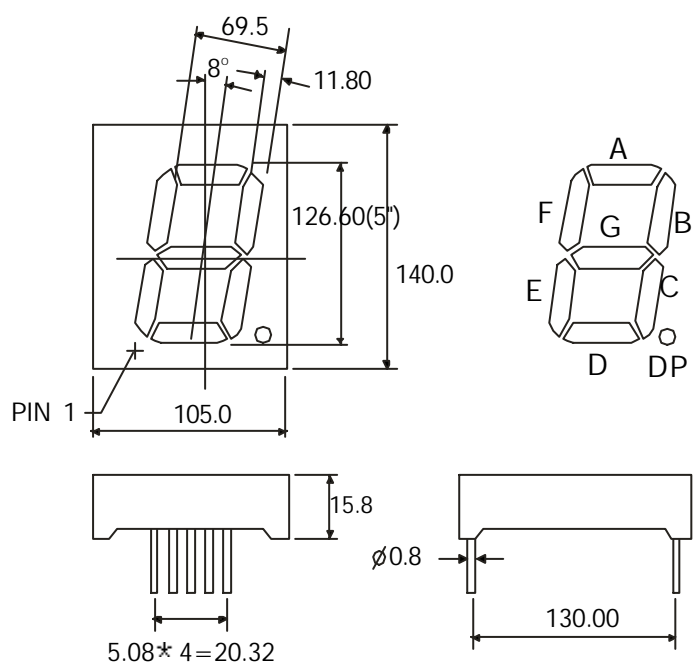
PackageDescription	PartNo.	C.C.orC.A.	Chip		Electro-opticalCharacteristics(Typ.)			FaceColor
			Material	EmittingColor	λ P(nm)	V_f /Seg(V)	I_v /Seg(mcd)	
					20mA	20mA	10mA	
5.0"(126.6mm)SingleDisplay	LSD500AG-00	C.C.	GaP	Green	570	15.4	7.0	White
	LSD500BSR-00	C.A.	GaAlAs	HighRed	660	12.6	8.5	White



LSD500A



5.0"(126.6mm)SingleDisplay	LSD500CG-10	C.C.	GaP	Green	570	26.4	6.5	Black
	LSD500DSR-10	C.A.	GaAlAs	HighRed	660	21.6	7.5	Black



LSD500C

