

**Ordering number C10437\_BOOMERANG**

Family	Boomerang	FWHM	28 degrees
Type	Reflector	Efficiency	-
LED	LZ1 (00xW00)	cd/lm	(simulated) 0.000
Color	Metal	Gerber File	Available
Diameter	19.8 mm		
Height	15.5 mm		
Style	Hexag		
Optic Material	PC		
Holder Material	-		
Fastening	Glue		
Status	On production		

**NOTE: The typical divergence will be changed by different color, chip size and chip position tolerance. The typical total divergence is the full angle measured where the luminous intensity is half of the peak value.**



## PRODUCT DATASHEET Boomerang series

last update 3/3/2014



### GENERAL INFORMATION

- Product series especially designed & optimized for LZ1 (00xW00) series of LEDs.
- Special care taken to make light distribution as uniform as possible.
- Reflector is made of aluminium coated PC (120 degrees of Celcius / 248 degrees of Fahrenheit) with protective lacquer (short term 100 degrees of Celcius / 212 degrees of Fahrenheit).
- Fastening to PCB with appropriate adhesive. By clicking link below you can find Ledil recommended glue options.  
[http://www.ledil.com/datasheets/DataSheet\\_GLUES.pdf](http://www.ledil.com/datasheets/DataSheet_GLUES.pdf)

**NOTE 1: We advise customer to ensure the suitability and sufficiency of the bond in the end product. For example, mechanical stress, vibration and holes on the surface of the circuit board weaken the strength of the glue.**

**NOTE 2: All surfaces where glue is applied must be clean, dry and free from grease and dirt. If cleaning of PCB surfaces is needed, please follow strictly the cleaning instructions of your LED manufacturer -this is important as cleaning shall under no circumstances damage LEDs or other electronics components on the PCB.**

**Further note that optical components shall not be cleaned with any chemicals - only micro fiber cloth may be used to remove fingerprints or other traces from handling.**

D

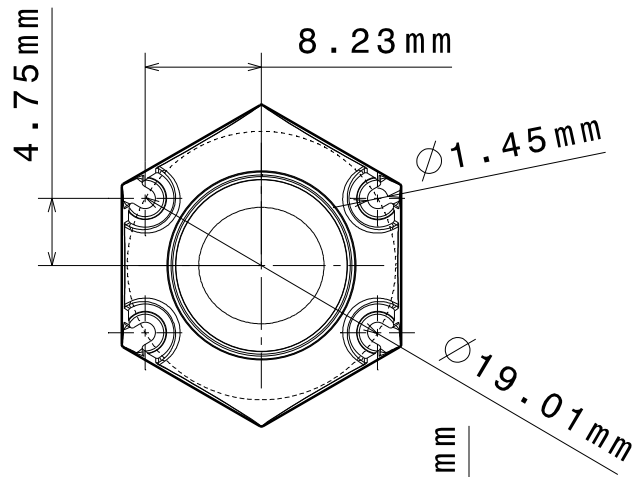
C

B

A

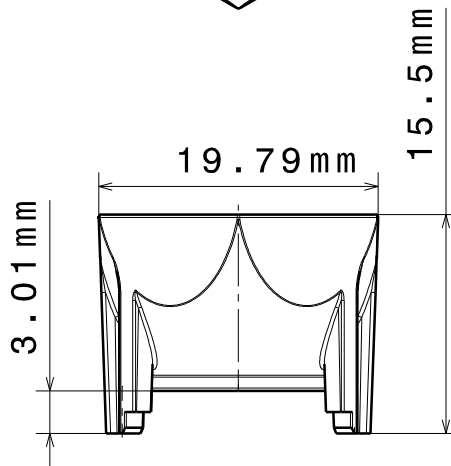
4

4



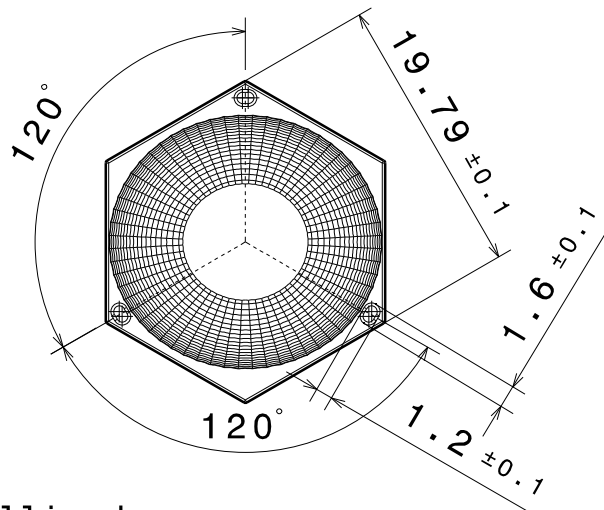
3

3



2

2



Material: ABS metallized

This drawing is our property.  
It can't be reproduced  
or communicated without  
our written agreement.

Ledil Oy  
Tehdaskatu 13  
FIN-24100 SALO  
Finland

DRAWING TITLE

Boomerang-reflector

DRAWN BY  
RMDATE  
21.11.2007CHECKED BY  
HHDATE  
21.11.2007SIZE  
A4

DRAWING NUMBER

10437

REV  
0.1DESIGNED BY  
HHDATE  
21.11.2007

SCALE

1:1

WEIGHT (g)

SHEET

1/1

1

1

D

A