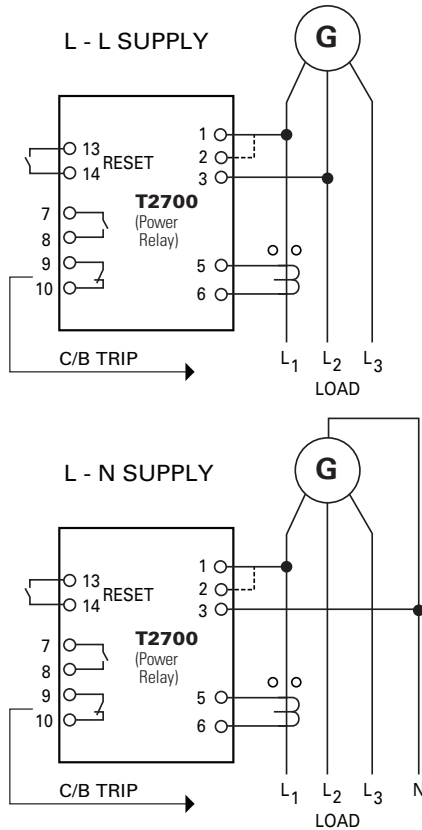


# T2700 SERIES

## Power Relay



### Simplified Circuit Diagram



### Ordering Information

ORDERING NUMBER	TERMINALS		I <sub>N</sub>	SUPPLY	FUNCTION
	1-3	2-3			
T2700.00	230 V		5 A	L-N	
T2700.02	450 V	400 V	5 A	L-L	
T2700.03	230 V	400 V	5 A	L-L	
T2700.04	110 V	100 V	5 A	L-L	Normally energized output
T2700-08	127 V	120 V	5 A	L-N	

Other supply voltages and combinations are available on request.

### Description

The T2700 Power Relay is intended for detection of power levels for protection, control or monitoring purposes. The T2700 will protect a generator from excessive active loads [kW].

The T2700 calculates  $I \times \cos \phi$ , representing the active power. If the active power exceeds the preset level (15-150%), the pick-up LED will indicate this and the delay timer will be started. After the preset time (2-20 sec.) has expired, the output relay and LED will be activated, provided that the active power level was exceeded for the entire delay time.

### Features & Benefits

FEATURES	BENEFITS
<b>Accepts high supply voltage variation</b>	Ensures correct operation in spite of voltage supply fluctuations (fulfills marine class requirement)
<b>Visual indication of power, pick-up, and output trip</b>	Provides quick and concise status information
<b>Direct line-line or line-neutral voltage supply (up to 690 Vac)</b>	Simplifies design and installation. No need for PTs.
<b>Galvanic isolated inputs</b>	Protects the unit against high AC voltage and currents from the installation including spikes
<b>DIN-rail or screw-mount &amp; adjustment by potentiometers</b>	Easy installation

### Specifications

<b>Trip Level</b>	15-150% I <sub>N</sub>
<b>Delay</b>	2-20 sec.
<b>Max. Voltage</b>	660 V
<b>Voltage Range</b>	60-110%
<b>Consumption</b>	Voltage 5 VA at U <sub>N</sub> Current 0.3 VA at I <sub>N</sub>
<b>Continuous Current</b>	2 x I <sub>N</sub>
<b>Frequency Range</b>	45-400 Hz
<b>Output Relay</b>	Normally de-energized, latching, resettable
<b>Contact Rating</b>	AC: 400 V, 5 A, 1250 VA; DC: 150 V, 5 A, 120 W
<b>Overall Accuracy</b>	±5%
<b>Repeatability</b>	±1%
<b>Operating Temperature</b>	-20°C to +70°C
<b>EMC</b>	CE according to EN50081-1, EN50082-1, EN50081-2, EN50082-2
<b>Approvals</b>	Certified by major marine classification societies
<b>Burn-in</b>	50 hours before final test
<b>Enclosure Material</b>	Polycarbonate. Flame retardant
<b>Weight</b>	0.5 kg
<b>Dimensions</b>	<b>H</b> 70 mm (2.76"); <b>W</b> 100 mm (3.94"); <b>D</b> 115 mm (4.52")
<b>Installation</b>	35 mm DIN rail or 4 mm (3/16") screws

# Mouser Electronics

Authorized Distributor

Click to View Pricing, Inventory, Delivery & Lifecycle Information:

[Littelfuse:](#)

[T2700.0020](#) [T2700.0010](#)