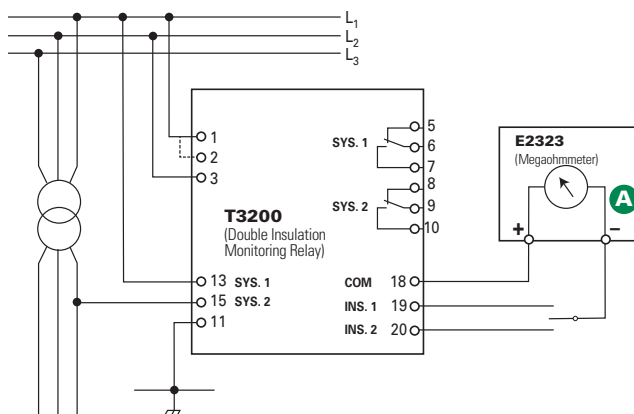


T3200 SERIES

Two-Channel Insulation-Monitoring Relay



Simplified Circuit Diagram



Description

The T3200 Insulation-Monitoring Relay is designed for continuous insulation monitoring on three-phase insulated networks on board ships. The relay continuously monitors two systems galvanically separated from each other, e.g. the busbar and the lighting system, or two busbar systems. The unit features two output relays for alarm purposes and two analog outputs for instrument reading. Instruments are available from Littelfuse Selco as standard-sized switchboard instruments. The T3200 carries the CE label and has been approved by major marine classification societies.

Features & Benefits

FEATURES	BENEFITS
Accepts high supply voltage variation	Ensures correct operation in spite of voltage supply fluctuations (fulfils marine class requirement)
Visual indication of power, pick-up, and output trip	Provides quick and concise status information
Direct line-line or line-neutral voltage supply (up to 690 Vac)	Simplifies design and installation. No need for PTs.
Combined monitoring of 2 independent systems	Economic solution and occupying less space in the switch panel
Available with separate 24 Vdc supply	Safe operation. Maintains protection regardless of system voltage failure
Galvanic isolated inputs	Protects the unit against high AC voltage and currents from the installation including spikes
DIN-rail or screw-mount & adjustment by potentiometers	Easy installation

Ordering Information

ORDERING NUMBER	1-3 TERMINALS	2-3 TERMINALS
T3200.0010	230 V	—
T3200.0020	450 V	400 V
T3200.0030	480 V	415 V
T3200.0050	110 V	100 V
T3200.0060	127 V	120 V

Other voltages are available on request.

ACCESSORIES	DIMENSION
E2323.0010 Megaohmmeter	96 x 96 mm
E2333.0010 Megaohmmeter	144 x 144 mm

Accessories



E2323 Megaohmmeter

Flush mounted units designed for connection with the T3200 for instrument readings.

Specifications

Insulation Level	0-5 MΩ
Delay	1-10 sec.
Max. Voltage	660 V
Voltage Range	80-110%
Consumption	Max. 2 VA
Frequency Range	45-65Hz
Measuring Voltage	15 Vdc
Instrument Output	0-1 mA
Instrument Resistance	Max. 100 Ω
Output relays	Normally de-energized; non-fail-safe
Contact Ratings	AC: 400 V, 2 A, 250 VA; DC: 110 V, 2 A, 100 W
Overall Accuracy	±5% of preset value
Operating Temperature	-20°C to +70°C
EMC	CE according to EN50081-1, EN50082-1, EN50081-2, EN50082-2
Approvals	Certified by major marine classification societies
Enclosure Material	Polycarbonate. Flame retardant
Weight	0.5 kg
Dimensions	H 70 mm (2.75"); W 100 mm (3.94"); D 115 mm (4.52")
Installation	35 mm DIN rail or 4 mm (3/16") screws

Mouser Electronics

Authorized Distributor

Click to View Pricing, Inventory, Delivery & Lifecycle Information:

[Littelfuse:](#)

[E2323.0010](#)