

Stacked Coin Type

Series: **NF**

■ Features

- Endurance : 70 °C 1000 h
- RoHS directive compliant



■ Recommended Applications

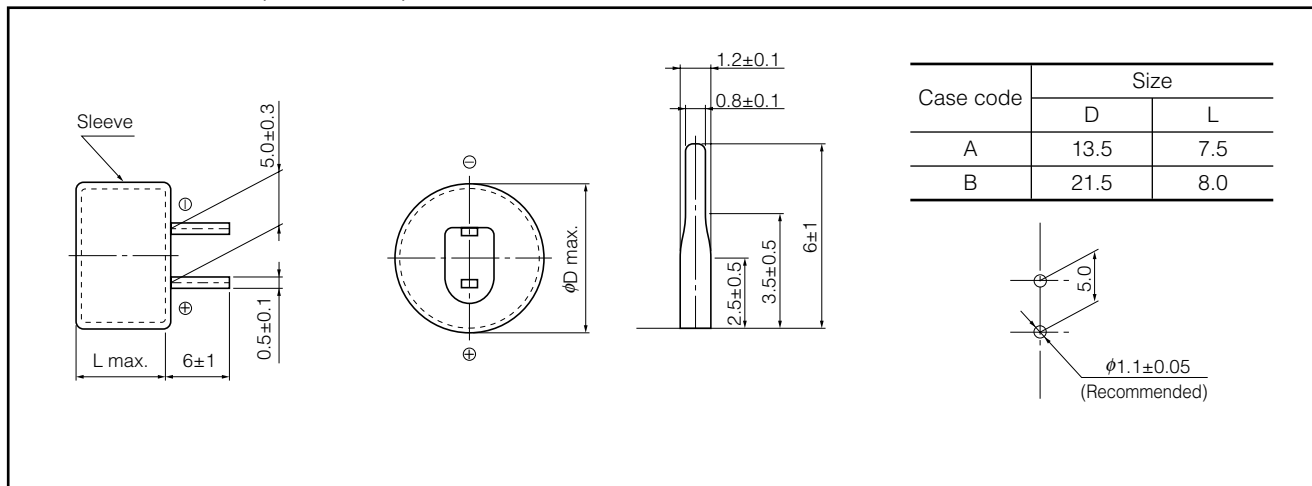
- Memory back-up for video and audio equipment, cameras, telephones, printers, data terminals, rice cookers and intelligent remote controls.

■ Specifications

Category Temp. Range	-25 °C to +70 °C	
Maximum Operating Voltage	5.5 V.DC	
Nominal Cap.Range	0.22 F to 1.5 F	
Characteristics at Low Temperature	Capacitance change	±30 % of initial measured value at +20 °C (at -25 °C)
	Internal resistance	≤5 times of initial measured value at +20 °C (at -25 °C)
Endurance	After 1000 hours application of 5.5 V. DC at +70 °C, the capacitor shall meet the following limits.	
	Capacitance change	±30 % of initial measured value
	Internal resistance	≤4 times of initial specified value
Shelf Life	After 1000 hours storage at +70°C without load, the capacitor shall meet the specified limits for Endurance.	

■ Dimensions in mm(not to scale)

(Unit : mm)



■ Standard Products

Maximum Operating Voltage (V.DC)	Capacitance (F)	Capacitance tolerance (F)	Internal resistance (Initial specified value) (Ω) at 1 kHz	Recommended discharge current	Parts number	Case code	Mass (Reference value) (g)	Min. Packaging Q'ty (pcs)
5.5	0.22	0.176 to 0.396	≤75	300 μA or less	EECF5R5U224	A	2.6	200
	0.47	0.376 to 1.41	≤30	1 mA or less	EECF5R5U474	B	7.9	100
	1.0	0.80 to 1.80	≤30	1 mA or less	EECF5R5U105	B	8.1	100
	1.5	1.20 to 2.70	≤30	1 mA or less	EECF5R5U155	B	8.1	100

Note : Do not use reflow soldering. (IR, Atmosphere heating methods, etc.)
Please refer to the page of "Application Guidelines".

Design and specifications are each subject to change without notice. Ask factory for the current technical specifications before purchase and/or use.
Should a safety concern arise regarding this product, please be sure to contact us immediately.

03 May. 2015

Mouser Electronics

Authorized Distributor

Click to View Pricing, Inventory, Delivery & Lifecycle Information:

[Panasonic:](#)

[EEC-F5R5U105](#) [EEC-F5R5U155](#) [EEC-F5R5U224](#) [EEC-F5R5U474](#)