

# LL4448

## FAST SWITCHING SURFACE MOUNT DIODES

**VOLTAGE** 100 Volts **POWER** 500 mW

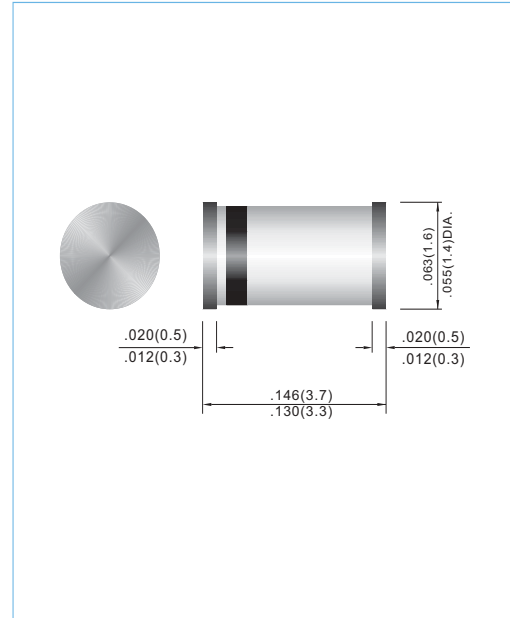
**MINI-MELF/LL-34** Unit : inch (mm)

### FEATURES

- Fast switching Speed.
- Surface Mount Package Ideally Suited For Automatic Insertion.
- Silicon Epitaxial Planar Construction.
- In compliance with EU RoHS 2002/95/EC directives

### MECHANICAL DATA

- Case: MINI MELF
- Terminals: Solderable per MIL-STD-750, Method 2026
- Polarity: Cathode Band
- Marking: Cathode Band Only
- Weight: 0.03 grams(approx)



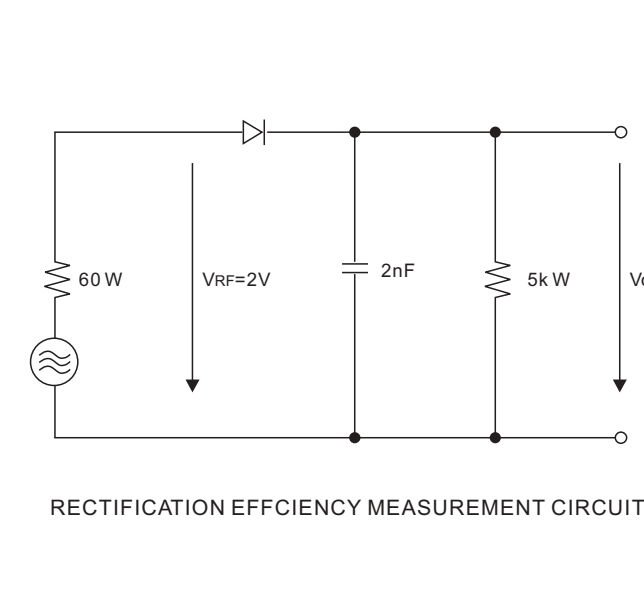
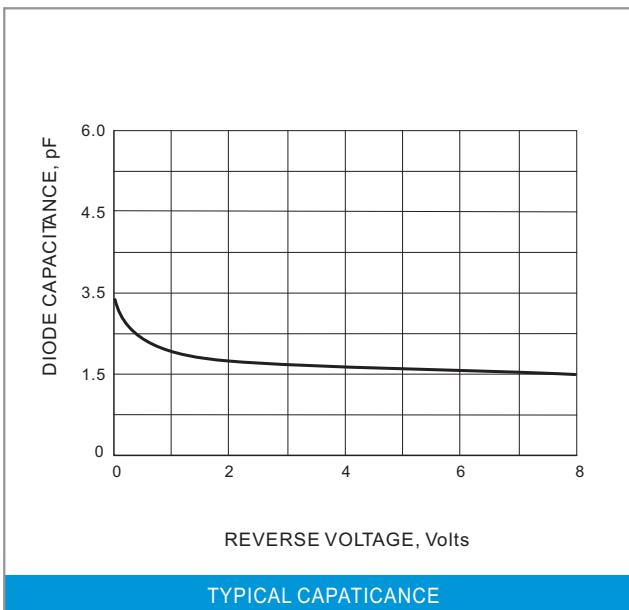
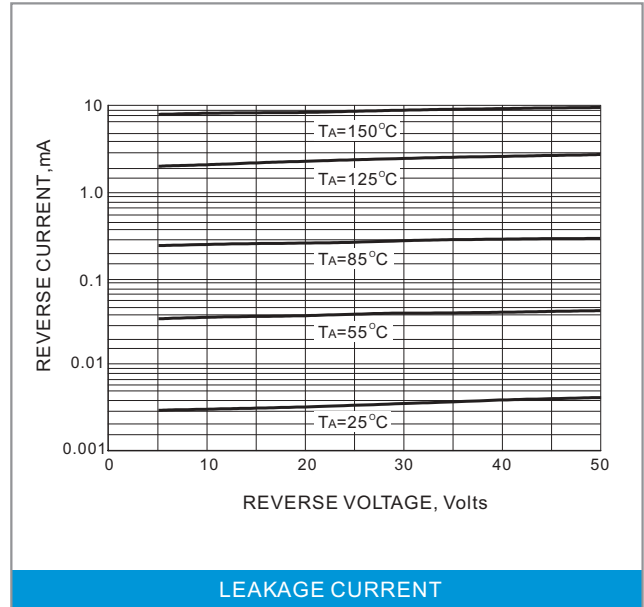
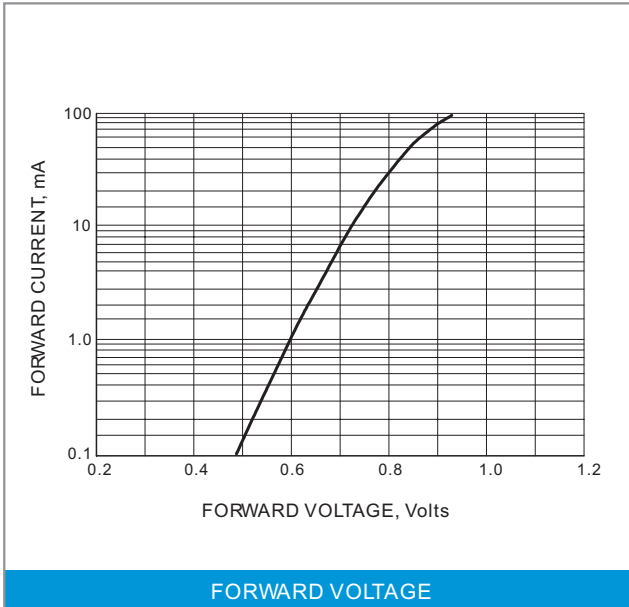
### MAXIMUM RATINGS AND ELECTRICAL CHARACTERISTICS (T<sub>J</sub>=25°C unless otherwise noted)

| PARAMETER  | SYMBOL                         | LL4448      | UNITS    |
|--|--------------------------------|-------------|----------|
| Peak Reverse Voltage   | V <sub>RM</sub>                | 100         | V        |
| Maximum DC Blocking Voltage  | V <sub>DC</sub>                | 75          | V        |
| Maximum Average Forward Current at T <sub>a</sub> =25 °C And f ≥50Hz   | I <sub>AV</sub>                | 150         | mA       |
| Surge Forward Current at t < 1s and T <sub>J</sub> = 25 °C   | I <sub>FSM</sub>               | 500         | mA       |
| Power Dissipation at Tamb= 25 °C   | P <sub>TOT</sub>               | 500         | mW       |
| Maximum Forward Voltage at I <sub>F</sub> =100mA   | V <sub>F</sub>                 | 1.0         | V        |
| Maximum Leakage Current<br>at V <sub>R</sub> =20V<br>at V <sub>R</sub> =20V ,T <sub>J</sub> = 150°C  | I <sub>R</sub>                 | 30<br>50    | nA<br>μA |
| Maximum Capacitance at V <sub>F</sub> =V <sub>R</sub> =0   | C <sub>J</sub>                 | 4           | pF       |
| Maximum Reverse Recovery Time From<br>I <sub>F</sub> =-I <sub>R</sub> =10mA to I <sub>RR</sub> =-1mA ,V <sub>R</sub> =6V R <sub>L</sub> =100 Ω | t <sub>rr</sub>                | 4           | ns       |
| Typical Maximum Thermal Resistance   | R <sub>θJA</sub>               | 350         | °C / W   |
| Junction Temperature and Storage Temperature Range   | T <sub>J</sub> ,T <sub>S</sub> | -65 to +175 | °C       |

**NOTE:**

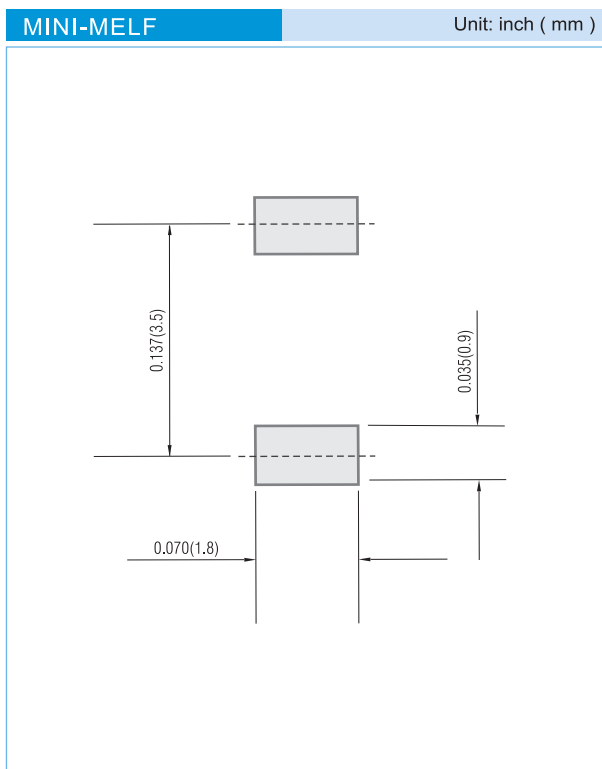
1. C<sub>J</sub> at V<sub>R</sub>=0, f=1MHZ
2. From I<sub>F</sub>=10mA to I<sub>R</sub>=1mA, V<sub>R</sub>=6Volts, R<sub>L</sub>=100Ω

# LL4448



# LL4448

## MOUNTING PAD LAYOUT



## ORDER INFORMATION

- Packing information
  - T/R - 10K per 13" plastic Reel
  - T/R - 2.5K per 7" plastic Reel

## LEGAL STATEMENT

### Copyright PanJit International, Inc 2009

The information presented in this document is believed to be accurate and reliable. The specifications and information herein are subject to change without notice. Pan Jit makes no warranty, representation or guarantee regarding the suitability of its products for any particular purpose. Pan Jit products are not authorized for use in life support devices or systems. Pan Jit does not convey any license under its patent rights or rights of others.