

80 mm sq.

San Ace 80W

- 25mm thick (9WL type)
- 25mm thick (9WP type)
- 25mm thick (9WS type)
- 38mm thick (9VV type)



General Specifications

- Material Frame: Plastics (Flammability: UL94V-0),
Impeller: Plastics (Flammability: UL94V-1)
- Expected Life Refer to specifications (Indoor, L10:Survival rate: 90% at 60°C,
rated voltage, and continuously run in a free air state)
- Lead Wire ⊕red ⊖black (Sensor) yellow
- Storage Temperature -30°C to +70°C (Non-condensing)

80×80×25 mm (Mass : 130g) **IP 68** **9WP** type

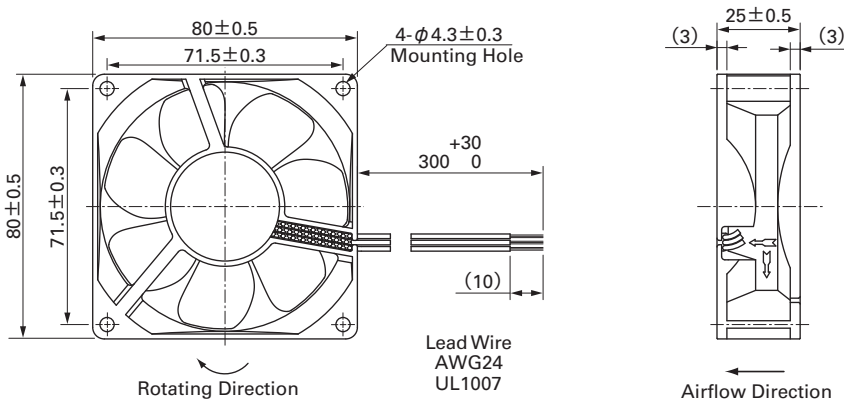
Specifications

The following nos. **have pulse sensors and ribs**. For ribless, append "1" to the model no.

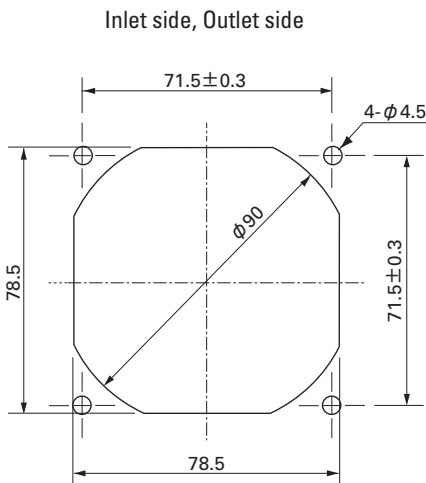
Model No.	Rated Voltage [V]	Operating Voltage Range [V]	Rated Current [A]	Rated Input [W]	Rated Speed [min ⁻¹]	Max. Airflow [m ³ /min] [CFM]	Max. Static Pressure [Pa] [inchH ₂ O]	SPL [dB(A)]	Operating Temperature [°C]	Expected Life [h]	
9WP0812G401	12	10.8 to 13.2	0.38	4.56	4,500	1.50 53	80.4 0.323	40	-20 to +60	40,000	
9WP0812H401		10.2 to 13.8	0.13	1.56	2,900	1.03 36.4	35.3 0.142	29		60,000	
9WP0824S401	24	20.4 to 27.6	0.1	2.4	3,400	1.20 42.4	48.0 0.193	34		-20 to +70	40,000
9WP0824H401			0.07	1.68	2,900	1.03 36.4	35.3 0.142	29			60,000
9WP0848S401	48	40.8 to 55.2	0.06	2.88	3,400	1.20 42.4	48.0 0.193	34	40,000		

Some models can also be equipped without sensors or with PWM control functions as an option. Please refer to the index (pp. 417 to 437).

Dimensions (unit : mm) (With ribs)



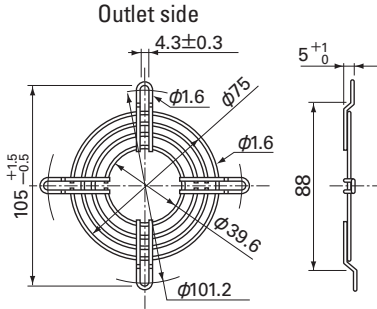
Reference Dimension of Mounting Holes and Vent Opening (unit : mm)



Options (unit : mm)

Finger Guards

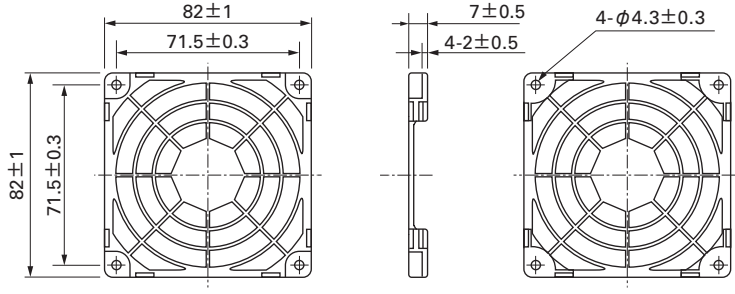
Model : 109-049C Surface treatment : Nickel-chrome plating (silver) Color : Nickel-chrome plating (silver)



Mass : 17g

Resin Finger Guards

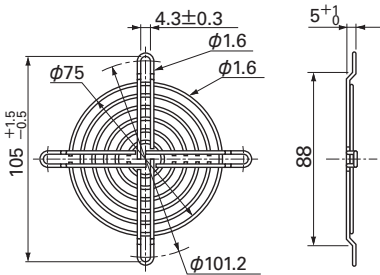
Model : 109-1002G



Mass : 10g

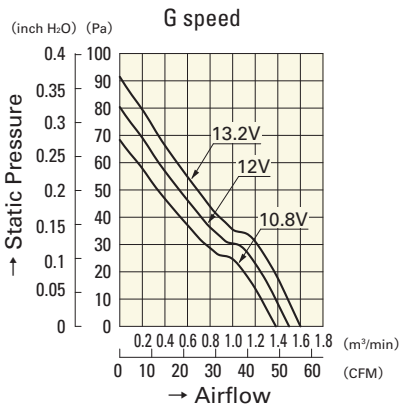
Model : 109-049E Surface treatment : Nickel-chrome plating (silver) Color : Nickel-chrome plating (silver)
 : 109-049H : Cation electropainting (black)

Inlet side, Outlet side

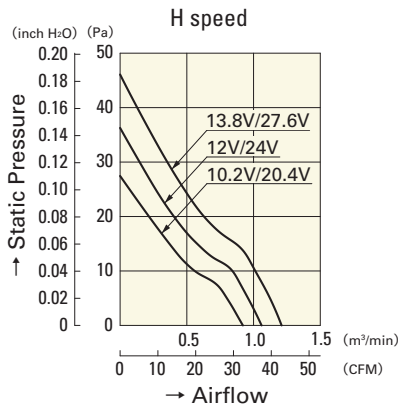


Mass : 21g

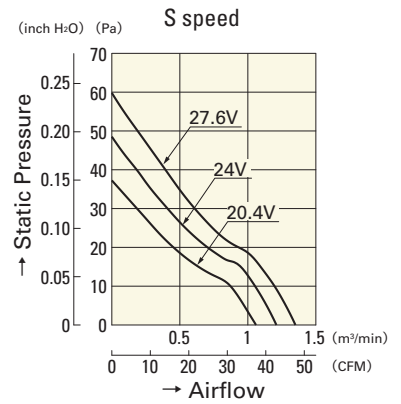
Airflow - Static Pressure Characteristics



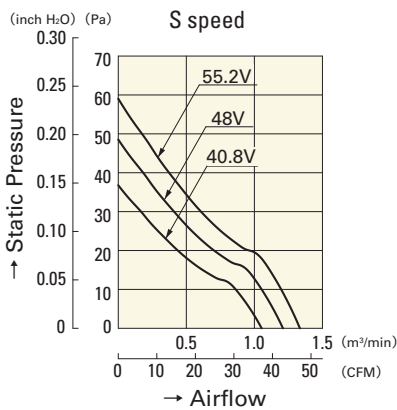
9WP0812G401



9WP0812H401
9WP0824H401



9WP0824S401



9WP0848S401

Mouser Electronics

Authorized Distributor

Click to View Pricing, Inventory, Delivery & Lifecycle Information:

[Sanyo Denki:](#)

[9WP0824H401](#) [9WP0812H401](#) [9WP0812H4011](#) [9WP0824H4011](#) [9WP0812G401](#) [9WP0848S401](#) [9WP0812G4011](#)